

HDX Enterprise MTP Cassettes

APPLICATION

HDX MTP Cassettes are pre-terminated, pre-tested, and come with 12-fiber MTP connectors on the back that break out to single or array connectors on the front. Available with LC connectors featuring visible internal white shutters offering an IP5x dust rating, faster installation, and protection from eye exposure to laser light. Cassettes are custom-built to your configuration needs. Select from a variety of connectors, including LC, SC, and MTP. For more information, visit www.leviton.com/configurator.



SPECIFICATION

All pre-terminated components including trunks, cassettes, harnesses, brackets, patch panels, and enclosures shall be provided and warranted by a single manufacturer. Components with modular (12-fiber) connection shall use MTP connectors. LC adapters shall use ceramic ferrules and shall provide an option for IP5x-rated internal shutters, compliant with IEC 60529, that open and close automatically with the insertion and removal of an LC Connector. Multimode cassettes shall meet an optical insertion loss not to exceed 0.50 dB for 12-fiber MTP-to-LC or SC cassettes, and 0.75 dB for 8- and 12-fiber MTP-to-MTP cassettes. Single-mode cassettes shall meet an optical insertion loss not to exceed 0.50 dB for 12-fiber MTP-to-LC or SC cassettes, and 0.90 dB for 8- and 12-fiber MTP-to-MTP cassettes. Cassettes shall be pre-terminated and pre-tested with test documentation provided upon request. Cassettes available in method A, B, C or Universal Polarity.

COUNTRY OF ORIGIN

USA

WARRANTY INFORMATION

For a copy of Leviton product warranties, visit www.leviton.com/warranty.

FEATURES

- Pre-terminated fiber eliminates the need for complicated and craft-sensitive field terminations and splices
- High-density components reduce space requirements for cable pathways, racks, and cabinets by 50% or more
- Optional patented internal shutters on LC adapters eliminate the need for dust plugs to reduce waste, speed deployment, and ensure safer installation
- One cassette supports up to 24 fibers (MTP to MTP)
- MTP connector terminates 12 fibers
- Select from a variety of fiber types including single-mode and laser-optimized multimode
- Discrete connectors are heat cured and use ceramic ferrules and sleeves for consistent performance
- Labeled to identify channel, wiring, and polarity

DESIGN CONSIDERATIONS

- Fits in UHDX 1RU, 2RU, and 4RU enclosures for 144 LC fibers per RU
- Fits in UHDX 1RU Flat and Angled Panels for 144 LC fibers per RU
- Fits in HDX Fiber Distribution Frame Patching Decks
- MTP adapters oriented key up/key down (or opposed) on back of cassette
- 8F MTP connectors are 12f MTP-LC unpinned (female) on front side of cassette
- 24-F and Legacy 12-F MTP Applications: Method B trunk links require one Core (black thumb latch) and one Edge (white thumb latch) MTP-LC cassette
- 12-F Applications: Universal Polarity MTP-to-LC Cassettes; require method B trunks with one cassette on each end

STANDARDS COMPLIANCE

- ANSI/TIA-942 data center design guidelines
- ANSI/TIA-568.3-D for performance requirements
- ANSI/TIA-604-5 (MTP), -3B (SC), -10B (LC) for connector intermateability
- IEC 60529 IP5x dust protection (LC)

PHYSICAL SPECIFICATIONS

Material: Grey polycarbonate
 Dimensions: See page three

ELECTRONIC FILES

For CAD files, typical specs, or dimensional line art (.DXF, .DWG), visit www.leviton.com.

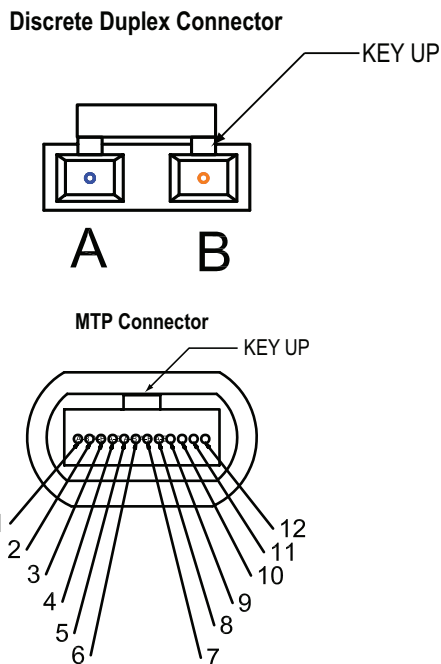
PERFORMANCE SPECIFICATIONS

FIBER CASSETTE INSERTION LOSS		
	Multimode	Single-mode
	12-fiber Max IL	12-fiber Max IL
LC	0.50	0.90
MTP	0.75	0.75
SC	0.50	0.90

COLOR CODES	
Adapters	
OM3/OM4	Aqua
OM4 Option	Heather Violet
OS2	Blue
OS2 LC/APC	Green

TYPICAL 12-FIBER WIRING CONFIGURATIONS

Port ID	Discrete Connector Position	Fiber Color	MTP Connector Position
1	A	Blue	1
	B	Orange	2
2	A	Green	3
	B	Brown	4
3	A	Slate	5
	B	White	6
4	A	Red	7
	B	Black	8
5	A	Yellow	9
	B	Violet	10
6	A	Rose	11
	B	Aqua	12



Leviton Network Solutions

2222 - 222nd St. SE
 Bothell, WA 98021-4416

tel 1-800-824-3005
 tel +1-425-486-2222
 appeng@leviton.com
 www.leviton.com

Asia / Pacific
 T +1.631.812.6228
 E infoasean@leviton.com

Europe
 T +44.0.1592.772124
 E customerserviceeu@leviton.com

Canada
 T +1.514.954.1840
 E pcservice@leviton.com

Mexico
 T +52.55.5082.1040
 E lsamarketing@leviton.com

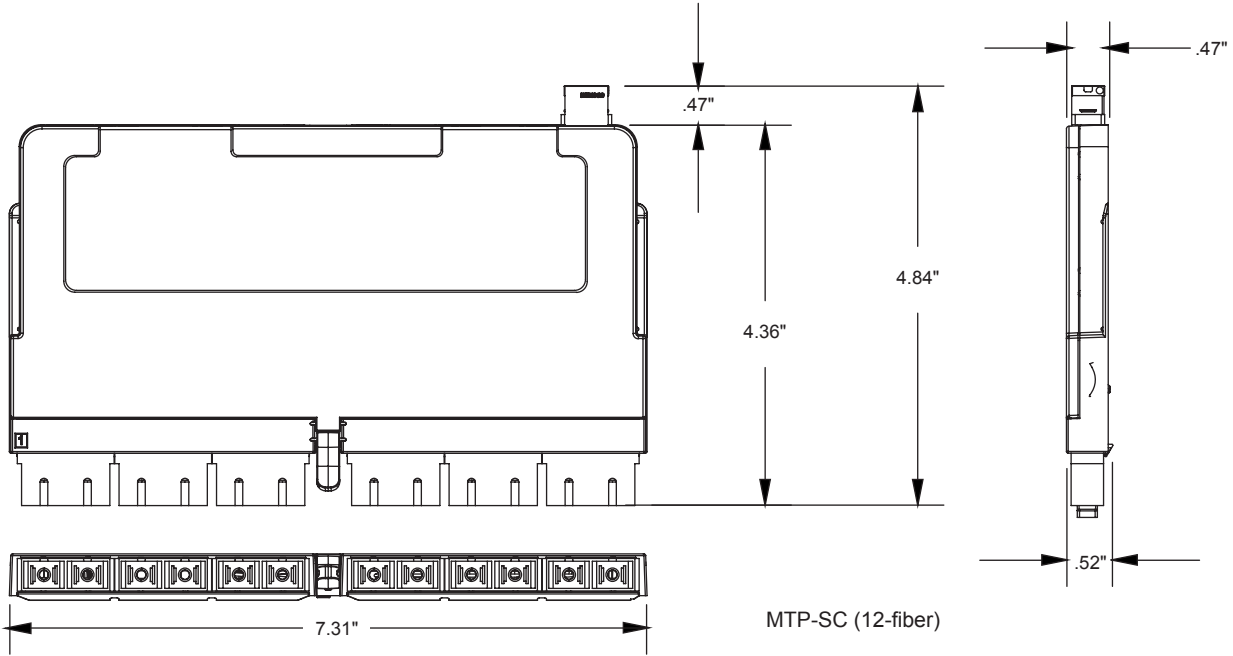
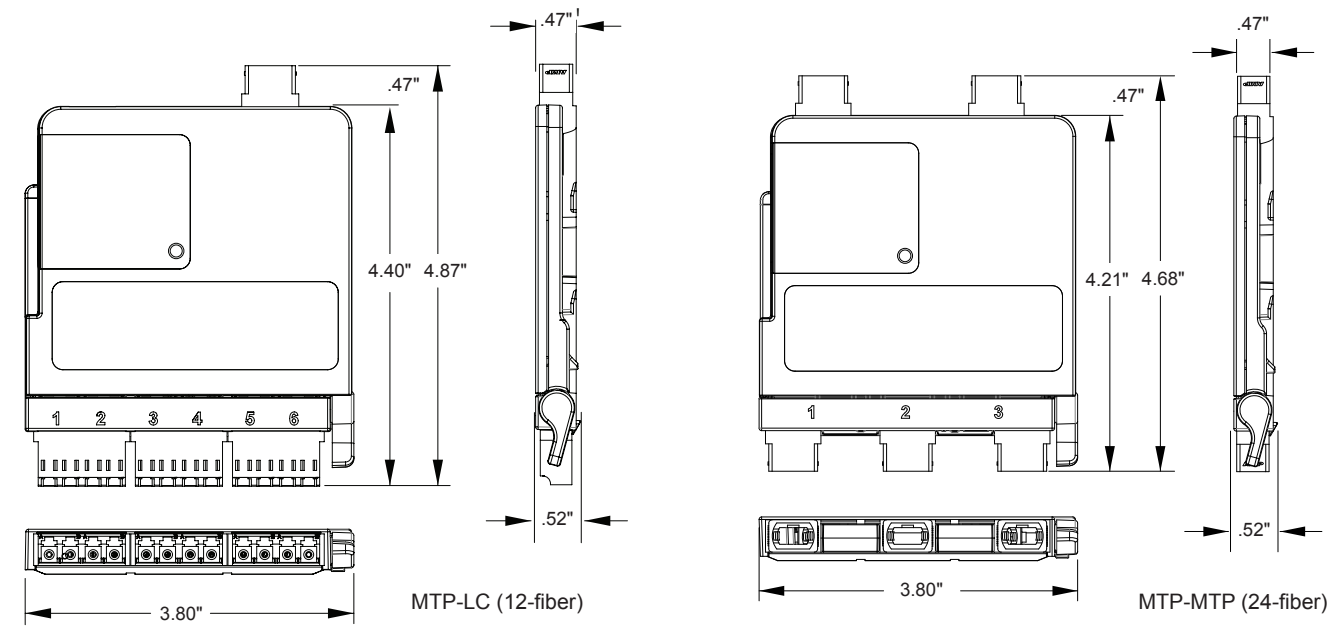
Caribbean
 T +1.954.593.1896
 E infocaribbean@leviton.com

Middle East & Africa
 T +971.4.247.9800
 E lmeinfo@leviton.com

China
 T +852.2774.9876
 E infochina@leviton.com

South Korea
 T +82.2.3273.9963
 E infokorea@leviton.com

Colombia
 T +57.1.743.6045
 E infocolombia@leviton.com



Leviton Network Solutions 2222 - 222nd St. SE Bothell, WA 98021-4416 tel 1-800-824-3005 tel +1-425-486-2222 appeng@leviton.com www.leviton.com	Asia / Pacific T +1.631.812.6228 E infoasean@leviton.com	Canada T +1.514.954.1840 E pcservice@leviton.com	Caribbean T +1.954.593.1896 E infocaribbean@leviton.com	China T +852.2774.9876 E infochina@leviton.com	Colombia T +57.1.743.6045 E infocolombia@leviton.com
	Europe T +44.0.1592.772124 E customerserviceeu@leviton.com	Mexico T +52.55.5082.1040 E lsamarketing@leviton.com	Middle East & Africa T +971.4.247.9800 E lmeinfo@leviton.com	South Korea T +82.2.3273.9963 E infokorea@leviton.com	

12-FIBER CASSETTES — POPULAR CONFIGURATIONS

Description	Part No.
OM3, 12-fiber, MTP (male) to LC shuttered (aqua), Universal Polarity	31LSM1-UNN
OM4, 12-fiber, MTP (male) to LC shuttered (aqua), Universal Polarity	41LSM1-UNN
OM4, 12-fiber, MTP (male) to LC shuttered (heather violet), Universal Polarity	41GSM1-UNN
OS2, 12-fiber, MTP (male) to LC shuttered (blue), Universal Polarity	U1LSM1-UNN

24-FIBER CASSETTES — POPULAR CONFIGURATIONS

Description	Part No.
OM3, 24-fiber, 2x12F MTP (male) to LC shuttered (aqua), Universal Polarity	32LSM1-UNN
OM4, 24-fiber, 2x12F MTP (male) to LC shuttered (aqua), Universal Polarity	42LSM1-UNN
OM4, 24-fiber, 2x12F MTP (male) to LC shuttered (heather violet), Universal Polarity	42GSM1-UNN
OS2, 24-fiber, 2x12F MTP (male) to LC shuttered (blue), Universal Polarity	U2LSM1-UNN
OM4, 24-fiber, 2x12F MTP (male) to 3x8F MTP (female), Method B Core	42MM1-BCN
M4, 24-fiber, 2x12F MTP (male) to 3x8F MTP (female), Method B Edge	42MM1-BEN
OS2, 24-fiber, 2x12F MTP (male) to 3x8F MTP (female), Method B Core	U2MM1-BCN
OS2, 24-fiber, 2x12F MTP (male) to 3x8F MTP (female), Method B Edge	U2MM1-BEN

Make to order! HDX ENTERPRISE MTP CASSETTE OPTIONS

FIBER TYPE	FIBER COUNT	CONNECTOR TYPE (FRONT)	MTP FIBER COUNT (REAR)	POLARITY
<ul style="list-style-type: none"> • OM3 (3) • OM4 (4) • OS2 (U) • OS2 (A) 	<ul style="list-style-type: none"> • 12 • 24 	<ul style="list-style-type: none"> • SC (S) • LC (L) • LC shuttered (LS) • LC (heather violet) (G) • LC shuttered (heather violet) (GS) • 8-Fiber MTP (Female) (M) 	<ul style="list-style-type: none"> • 12F MTP (male) (MI) 	<ul style="list-style-type: none"> • Method A (A) • Method B (Core) (BC) • Method B (Edge) (BE) • Method C (C) • Universal (U)



For assistance customizing your pre-terminated trunks, please visit leviton.com/configurator or call Tech Support at 800.824.3005.



Leviton Network Solutions
 2222 - 222nd St. SE
 Bothell, WA 98021-4416

tel 1-800-824-3005
 tel +1-425-486-2222
appeng@leviton.com
www.leviton.com

Asia / Pacific
 T +1.631.812.6228
 E infoasean@leviton.com

Europe
 T +44.0.1592.772124
 E customerserviceeu@leviton.com

Canada
 T +1.514.954.1840
 E pcservice@leviton.com

Mexico
 T +52.55.5082.1040
 E lsmarketing@leviton.com

Caribbean
 T +1.954.593.1896
 E infocaribbean@leviton.com

Middle East & Africa
 T +971.4.247.9800
 E lmeinfo@leviton.com

China
 T +852.2774.9876
 E infochina@leviton.com

South Korea
 T +82.2.3273.9963
 E infokorea@leviton.com

Colombia
 T +57.1.743.6045
 E infocolombia@leviton.com